

4047456

In This Kit:



*Determine radio's satellite capabilities **BEFORE INSTALLATION***

Retrieve radio's part number using the following procedure for the style radio pictured below: (GAP radio with AUX button)



All center stack radios ('08 MKS, Focus, Escape, Mariner) are SAT ready
If your vehicle is a 2007-2009 and has a GAP radio, 99% are SAT ready
If your vehicle is a 2005/2006 and has a GAP radio, follow procedure below:

- 1. Press and hold presets 3 and 6 for 2 seconds, which shall initiate the Speaker Walk Around Test.**
- 2. Before the test is completed press preset button 6.**
- 3. Press the TUNE UP ARROW until the radio part number is displayed on the radio display.**
- 4. Record the radio part number.**
- 5. To exit this mode, turn the radio off.**

Verify radio's compatibility with the attached chart (**BEFORE INSTALLATION**)



All Ford Navigation radios that are this style will work with satellite.

- Write down 12 digit ESN on DLP. You will need this when calling Sirius.
- Determine location of the DLP (DownLink Processor): front or back of vehicle.
- Mount Sirius antenna outside of vehicle on roof or trunk.
- Run antenna to DLP and plug in.
- Unplug radio's 16 pin and 24 pin plugs and plug them into the supplied Radio "T" Harness (Figure 2).
- Plug the supplied Radio "T" Harness back into the radio (Figure 2).
- If vehicle does not have a 16-pin plug that is plugged into the radio, plug the satellite harness male 16-pin plug into radio - see below (Figure 1).

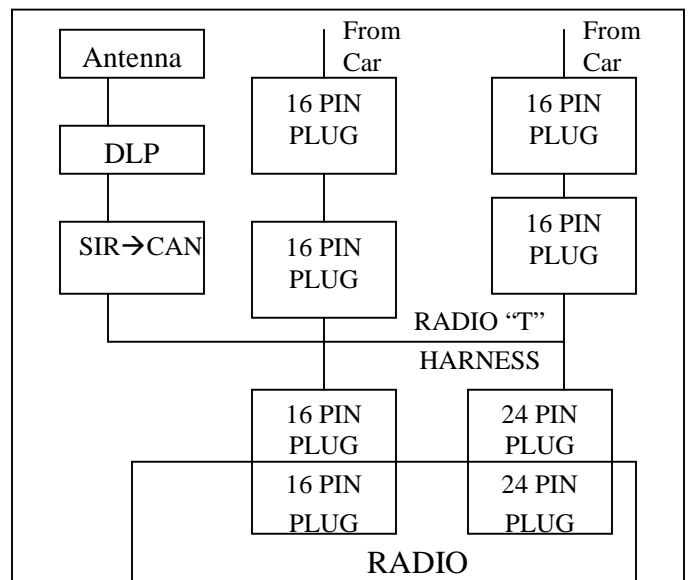
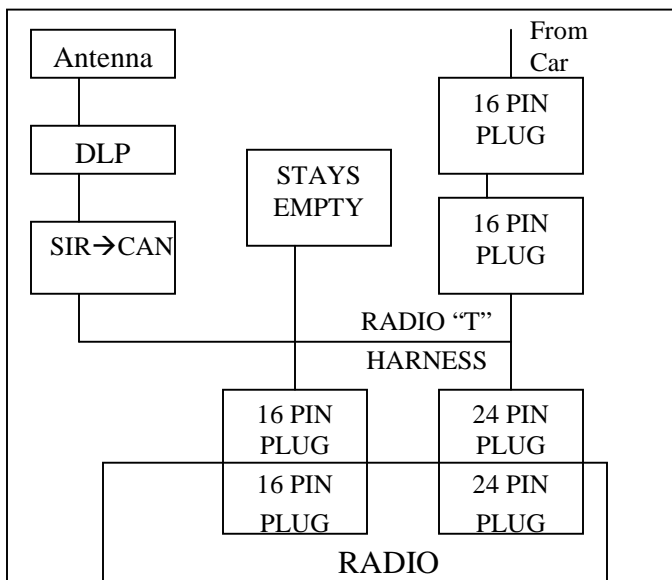
Will Work					Will Not Work	
4L3T-18C869-F	6F9T-18C869-BC	6R3T-18C815-J	7G1T-18C815-B	7L3T-18K931-C	3F2T-18C815-A	5L3T-18C868-A
5C3T-18C869-A	6F9T-18K931-A	6R3T-18C815-L	7G1T-18K931-A	7L7T-18K931-A	3F2T-18C815-B	5L3T-18C869-A
5F9T-18C815-E	6F9T-18K931-B	6R3T-18C869-A	7G1T-18K931-B	7L7T-18K931-B	3F2T-18C868-C	6C3T-18C815-A
5F9T-18C815-G	6G1T-18C815-A	6S4T-18C815-A	7G1T-18K931-C	7L7T-18K931-C	3F2T-18C869-A	6C3T-18C868-AB
5F9T-18C869-AK	6G1T-18C815-B	6S4T-18C815-B	7G1T-18K931-D	7R3T-18C815-G	4L3T-18C815-A	6F2T-18C868-D
5F9T-18C869-AL	6G1T-18K931-A	6S4T-18C869-A	7H6T-18C815-A	7R3T-18C815-H	4L3T-18C815-C	6F2T-18C869-C
5G1T-18C815-C	6G1T-18K931-B	6S4T-18C869-B	7H6T-18K931-A	7R3T-18C815-J	4L3T-18C815-D	6L2T-18C868-A
5G1T-18C815-E	6H6T-18C815-A	7A1T-18K931-A	7H6T-18K931-B	7R3T-18C815-K	4L3T-18C815-E	7S4T-18C815-D
5L3T-18C815-A	6H6T-18C815-BL	7A1T-18K931-B	7L1T-18C815-A	7R3T-18C815-PB	4L3T-18C868-F	7S4T-18C815-F
5L3T-18C815-G	6H6T-18K931-A	7A2T-18C815-AF	7L1T-18C815-C	7S3T-18C815-S	4L3T-18C869-G	
5L3T-18C815-J	6L2T-18C815-B	7A2T-18C869-A	7L1T-18C815-E	7S4T-18C815-A	4R3T-18C815-K	
5L3T-18C815-KH	6L2T-18C869-A	7A2T-18K931-A	7L1T-18K931-A	7S4T-18C815-B	5C3T-18C815-A	
5R3T-18C815-J	6L2T-18K931-A	7A2T-18K931-B	7L1T-18K931-B	7S4T-18C869-AB	5C3T-18C815-C	
5S4T-18C815-A	6L2T-18K931-B	7E5T-18C815-A	7L2T-18C815-B	7T4T-18C815-A	5C3T-18C868-A	
5S4T-18C815-B	6L3T-18C815-F	7E5T-18C815-B	7L2T-18C869-A	7T4T-18C815-CG	5C3T-18C868-C	
5S4T-18C869-A	6L3T-18C815-G	7E5T-18C869-AE	7L2T-18K931-A	8C3T-18C815-C	5F2T-18C815-A	
6C3T-18C869-A	6L3T-18C815-J	7E5T-18K931-A	7L3T-18C815-A	8C3T-18C815-D	5F2T-18C815-B	
6E5T-18C815-A	6L3T-18C815-K*	7E5T-18K931-B	7L3T-18C815-D	8C3T-18C815-F	5F2T-18C868-A	
6E5T-18C815-C	6L3T-18C868-A	7F9T-18C815-BA	7L3T-18C815-E	8C3T-18C815-H	5F2T-18C868-C	
6E5T-18C869-A	6L3T-18C868-B	7F9T-18K931-A	7L3T-18C815-G	8C3T-18C869-A	5F2T-18C869-A	
6E5T-18C869-B	6L3T-18C869-A	7F9T-18K931-B	7L3T-18C869-BK	8C3T-18C869-C	5F2T-18C869-B	
6F9T-18C815-A	6R3T-18C815-G	7F9T-18K931-C	7L3T-18K931-A	8G1T-18C815-D	5F9T-18C869-AG	
6F9T-18C869-A	6R3T-18C815-H	7F9T-18K931-D	7L3T-18K931-B		5G1T-18C815-FB	

Figure 1

Figure 2

If radio does not have 16 pin plug, but has 24 pin plug

If radio has both 16 and 24 pin plugs



PLEASE REFER TO YOUR VEHICLE'S OWNER'S MANUAL FOR SATELLITE OPERATION

CALL SIRIUS TO ACTIVATE AT 1-888-539-7474 OR VISIT WWW.SIRIUS.COM